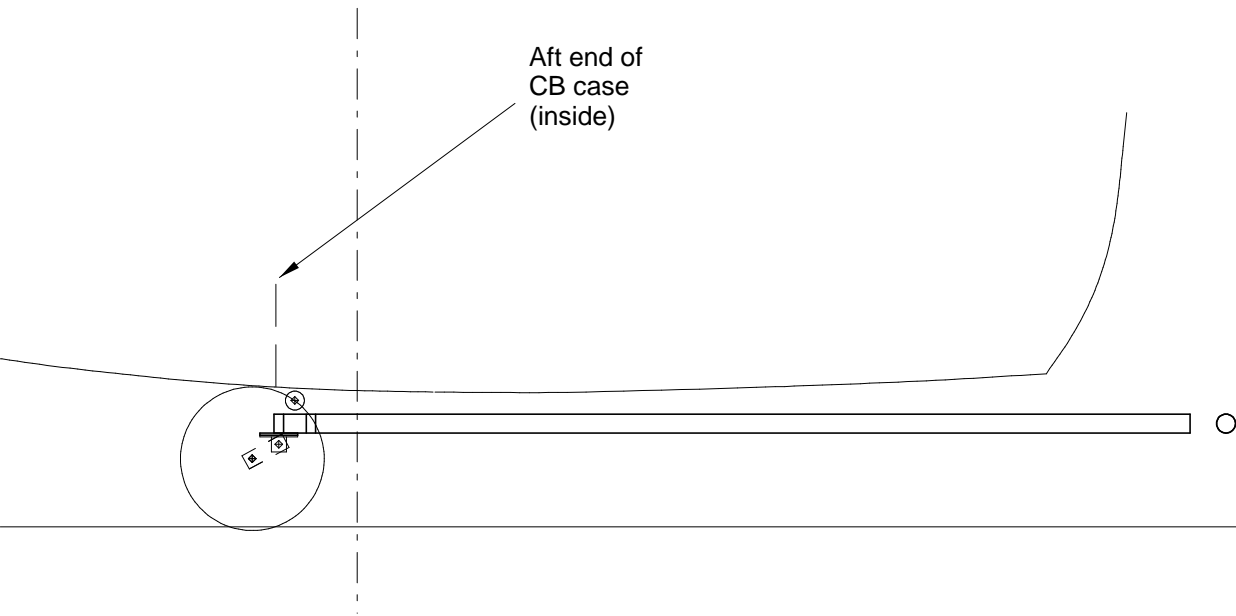


C of G

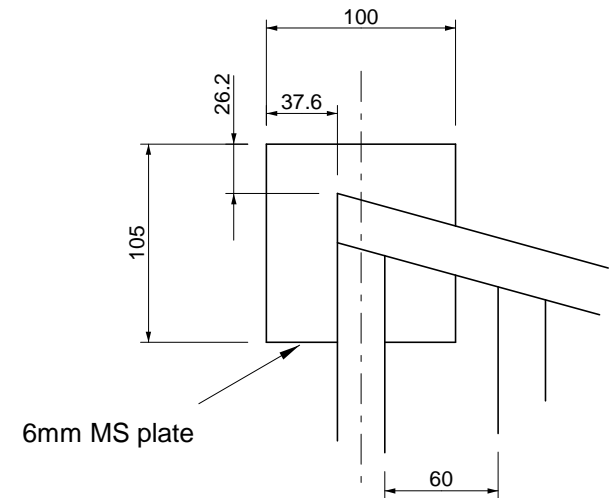
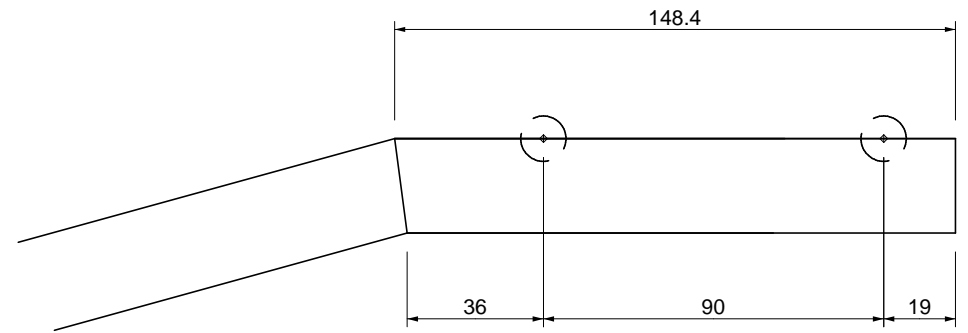
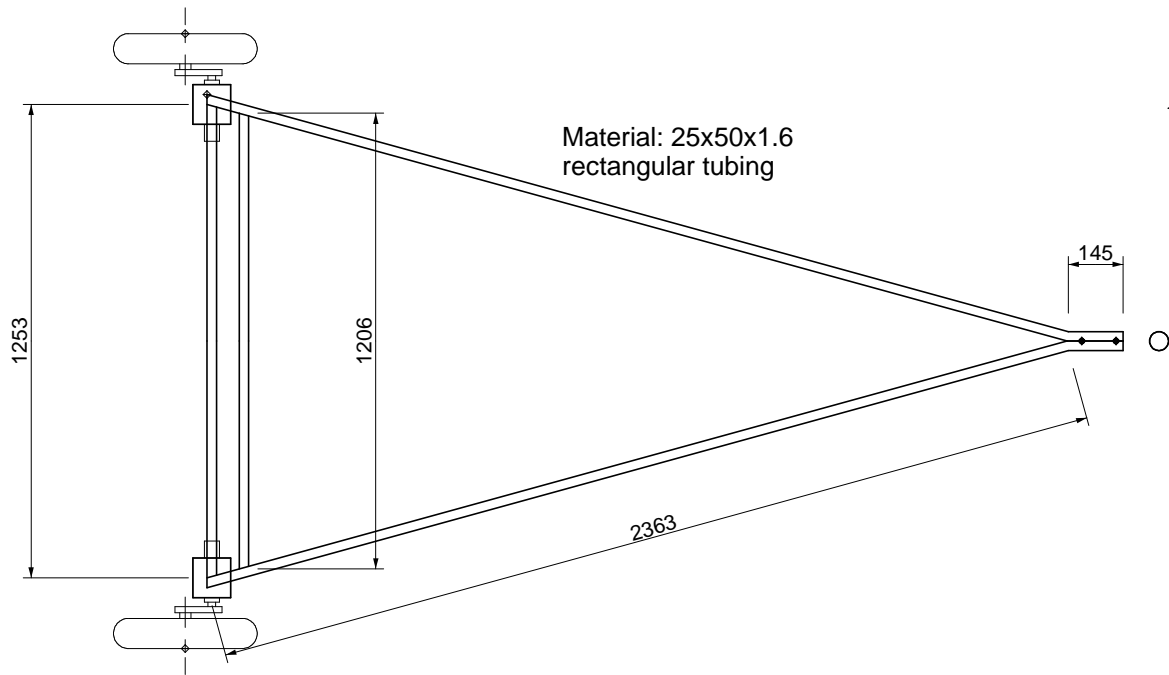
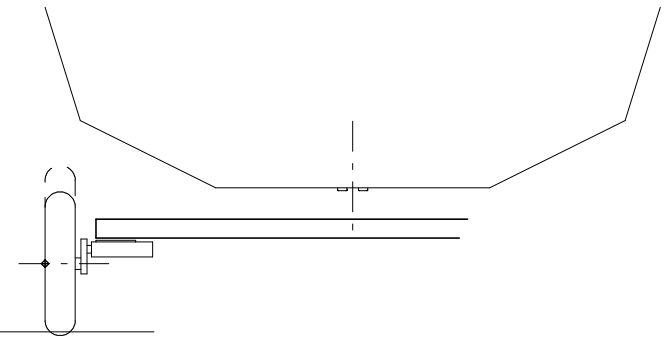
Aft end of
CB case
(inside)

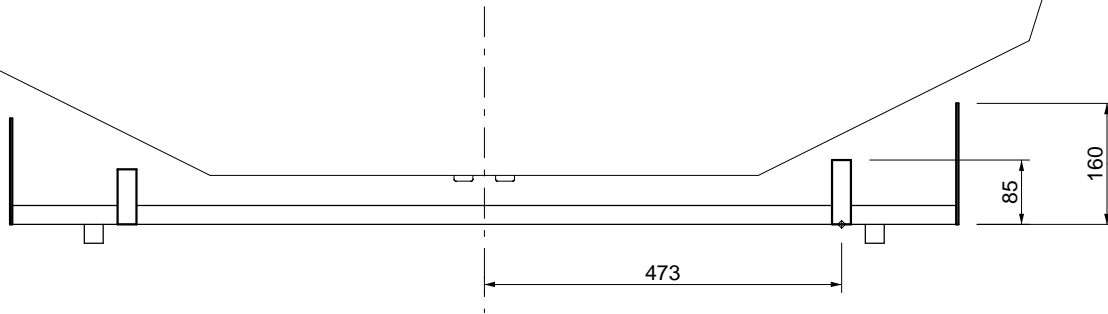


Truant Road Trailer

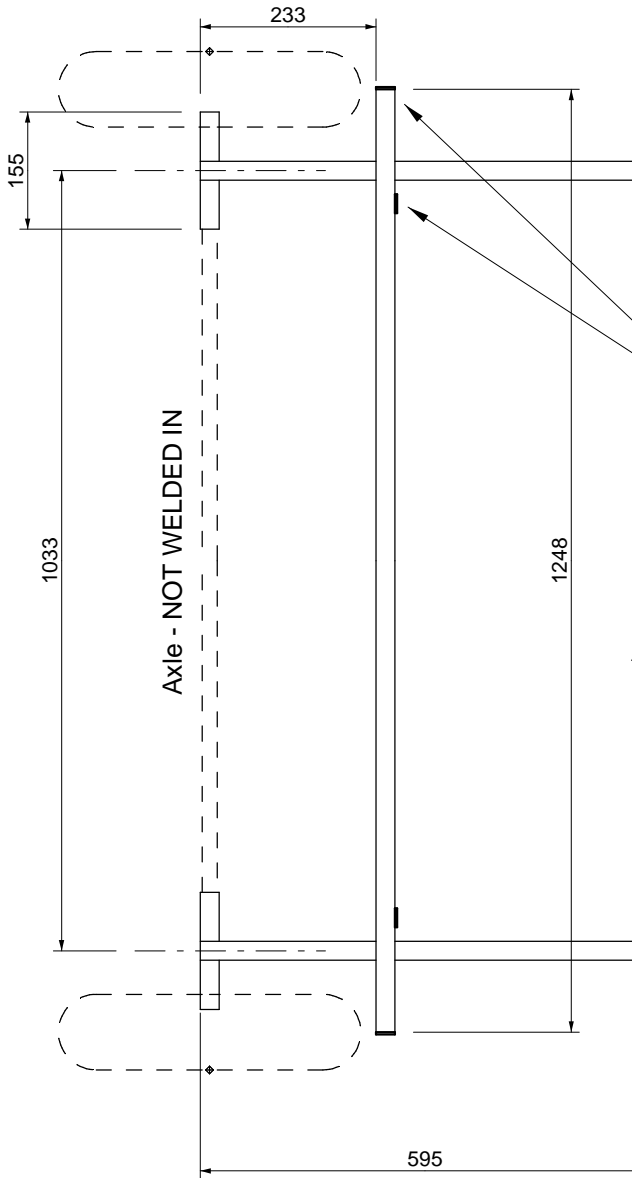
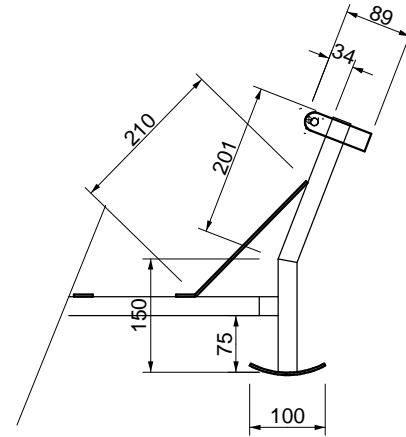
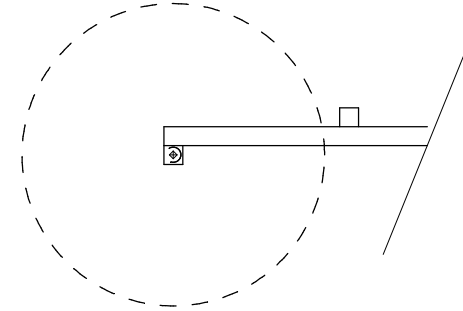
Scale: 1:20 and various

(c) John Beatty





Wheelbarrow wheel on 20mm OD tubing through rear axle brackets



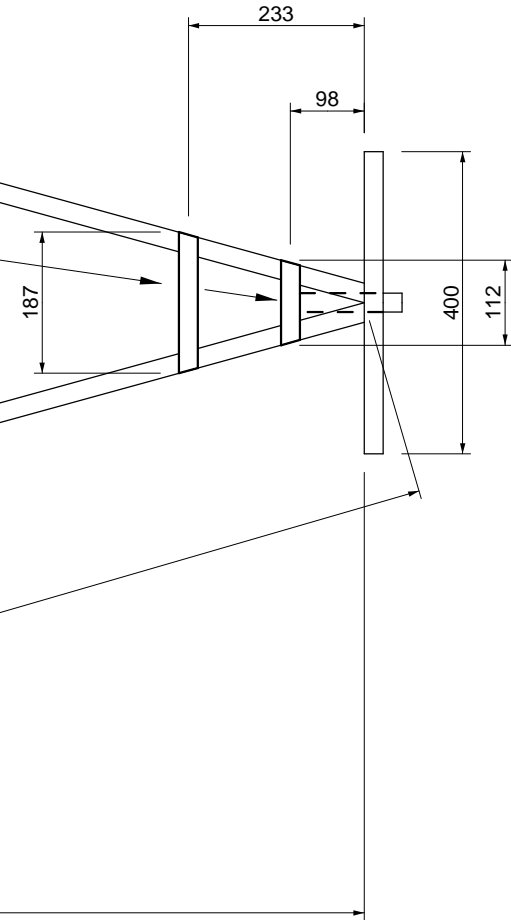
Material: 25x25x1.6mm square tubing unless otherwise shown

Brackets ex 25x3mm

Truant Launching Dolly

Scale 1:10

(c) John Beatty



1900

1825